

2



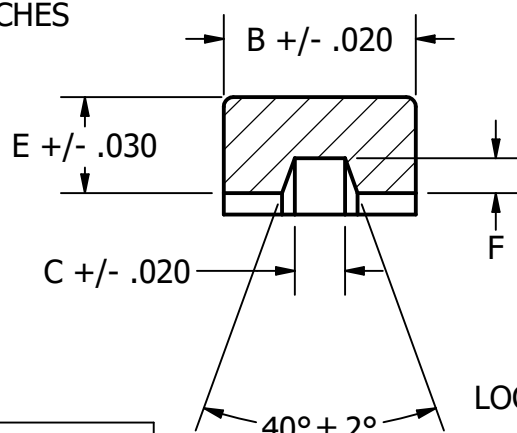
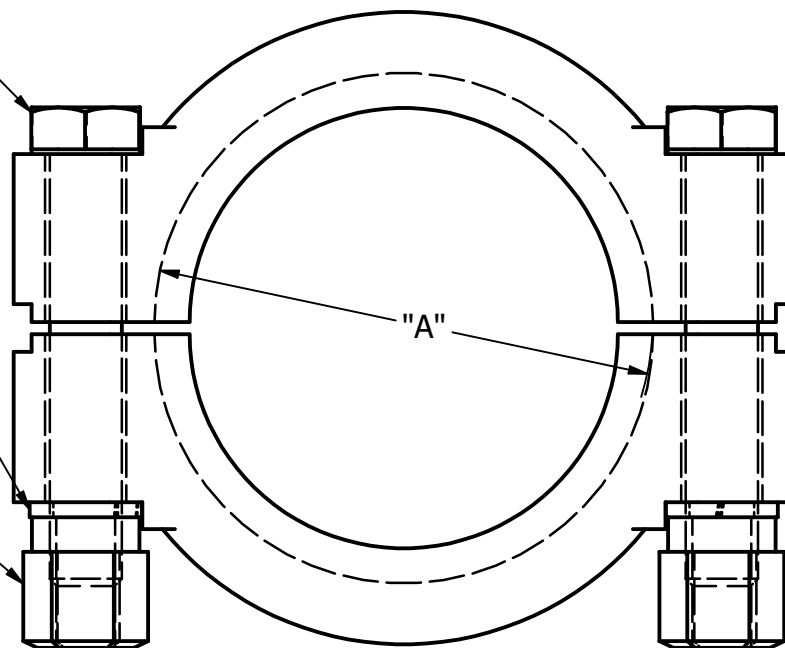
1

13MHP - High Pressure Clamp

Part Number	Size	A	B	C	E	F	Bolt
13MHP-.50	1/2" & 3/4"	1.125 +/- .010	.826 MIN.	.242	.450	.155 +/- .010	3/8-16 x 2.125"
13MHP-1	1" & 1 1/2"	2.064 +/- .010	.767 MIN.	.261	.500	.250 +/- .010	3/8-16 x 2.125"
13MHP-2	2"	2.596 +/- .010	.787 MIN.	.261	.500	.250 +/- .010	3/8-16 x 2.500"
13MHP-2.5	2 1/2"	3.127 +/- .010	.787 MIN.	.261	.500	.250 +/- .010	3/8-16 x 2.625"
13MHP-3	3"	3.659 +/- .010	.787 MIN.	.261	.500	.250 +/- .010	3/8-16 x 2.875"
13MHP-4	4"	4.762 +/- .010	.787 MIN.	.261	.562	.250 +/- .010	3/8-16 x 2.875"
13MHP-5	5"	5.762 +/- .010	.787 MIN.	.261	.562	.250 +/- .010	3/8-16 x 2.875"
13MHP-6	6"	6.695 +/- .020	.984 MIN.	.449	.625	.286 +/- .020	3/8-16 x 3.000"
13MHP-8	8"	8.695 +/- .020	1.000	.449	.625	.286 +/- .020	3/8-16 x 3.000"
13MHP-10	10"	10.695 +/- .020	1.000	.440	.575	.330 +/- .020	3/8-16 x 3.400"
13MHP-12	12"	12.695 +/- .020	1.000	.385	.688	.388 +/- .020	3/8-16 x 3.400"

*FOR GENERAL INFORMATION
PURPOSES ONLY ACTUAL APPEARANCE
MAY VARY.

ALL DIMENSIONS IN INCHES

SS BOLT
(2-TYP.)LOCK WASHER
(2-TYP.)BRASS NUT
(2-TYP.)

Size	PSI	
	@ 70°	@ 250°
1/2" & 3/4"	1500	1200
1" & 1 1/2"	1000	800
2"	1000	800
2 1/2"	1000	800
3"	1000	800
4"	800	600
5"	300	200
6"	300	200
8"	250	150
10"	200	125
12"	150	100

TOLERANCES

REFER TO
STEEL & O'BRIEN
DOCUMENT # QS121

Steel & O'Brien Mfg. Inc.

TITLE

13MHP HIGH PRESSURE CLAMP

DWG NO: **13MHP**

REV

SCALE: NTS

SHEET 1 OF 1

2



1

Part Number	Size	A	B	C	E	F	Bolt
13MHP-50	1/2" & 3/4"	1.125 +/- .010	.826 MIN.	.242	.450	.155 +/- .010	3/8-16 x 2.125"
13MHP-1	1" & 1 1/2"	2.064 +/- .010	.767 MIN.	.261	.500	.250 +/- .010	3/8-16 x 2.125"
13MHP-2	2"	2.596 +/- .010	.787 MIN.	.261	.500	.250 +/- .010	3/8-16 x 2.500"
13MHP-2.5	2 1/2"	3.127 +/- .010	.787 MIN.	.261	.500	.250 +/- .010	3/8-16 x 2.625"
13MHP-3	3"	3.659 +/- .010	.787 MIN.	.261	.500	.250 +/- .010	3/8-16 x 2.875"
13MHP-4	4"	4.762 +/- .010	.787 MIN.	.261	.562	.250 +/- .010	3/8-16 x 2.875"
13MHP-5	5"	5.762 +/- .010	.787 MIN.	.261	.562	.250 +/- .010	3/8-16 x 2.875"
13MHP-6	6"	6.695 +/- .020	.984 MIN.	.449	.625	.286 +/- .020	3/8-16 x 3.000"
13MHP-8	8"	8.695 +/- .020	1.000	.449	.625	.286 +/- .020	3/8-16 x 3.000"
13MHP-10	10"	10.695 +/- .020	1.000	.440	.575	.330 +/- .020	3/8-16 x 3.400"
13MHP-12	12"	12.695 +/- .020	1.000	.385	.688	.388 +/- .020	3/8-16 x 3.400"

Size	@ 70°F	@ 250°F
1/2" & 3/4"	1500	1200
1" & 1 1/2"	1000	800
2"	1000	800
2 1/2"	1000	800
3"	1000	800
4"	800	600
5"	300	200
6"	300	200
8"	250	150
10"	200	125
12"	150	100