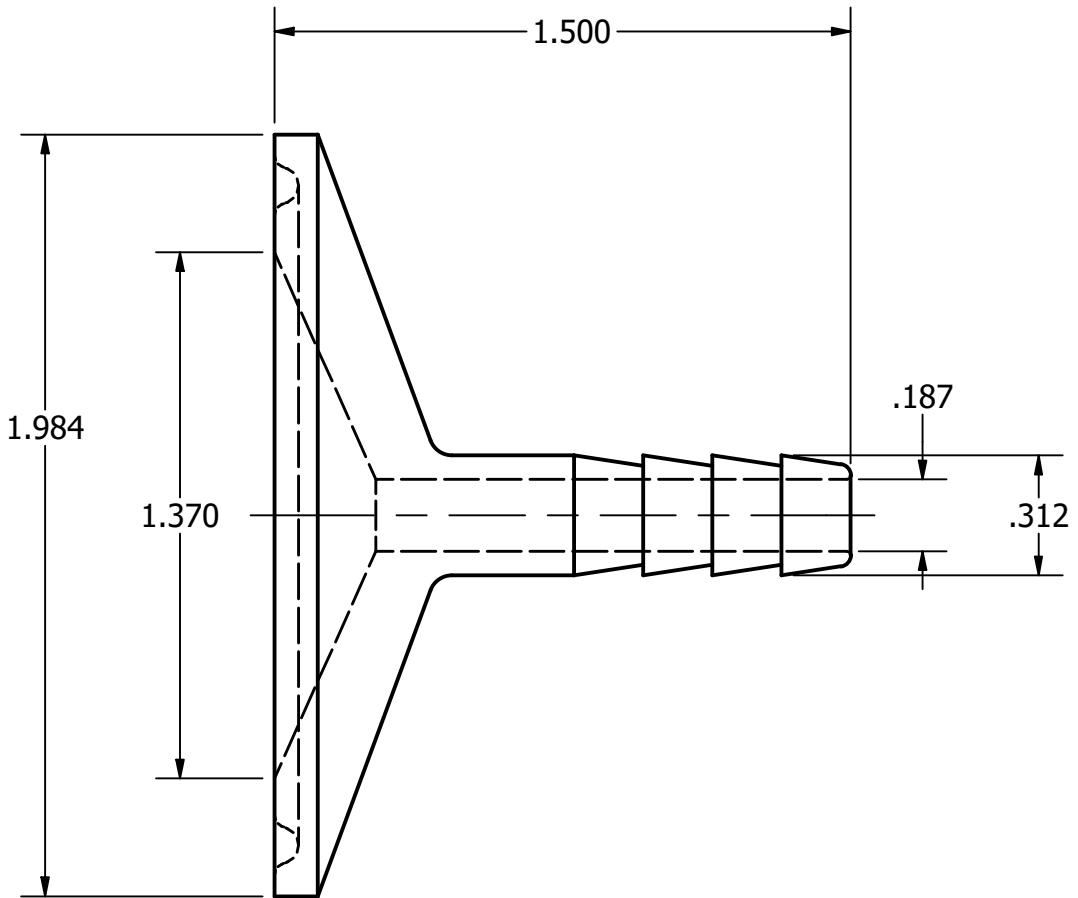


2

1

B

B



A

A

2

1

| | | | | | |
|--|--|--|--|---|--|
| TOLERANCES | | DRAWN Engineering | | Steel & O'Brien Mfg. Inc. | |
| | | 8/5/1999 | | | |
| DECIMALS: .XX ±.015 .XXX ±.005 .XXXX ±.0005 ANGLES: 1° | | ALL EDGES AND FILLETS .015 R UNLESS OTHERWISE SPECIFIED | | TITLE 1.500 TC X 1/4 (.312 OD) BARB 14MPHR | |
| | | | | DWG NO: 14MPHR-1.5X.25 | |
| | | | | REV 1 | |
| | | | | SCALE: 2 : 1 | |
| | | | | SHEET 1 OF 1 | |