

2

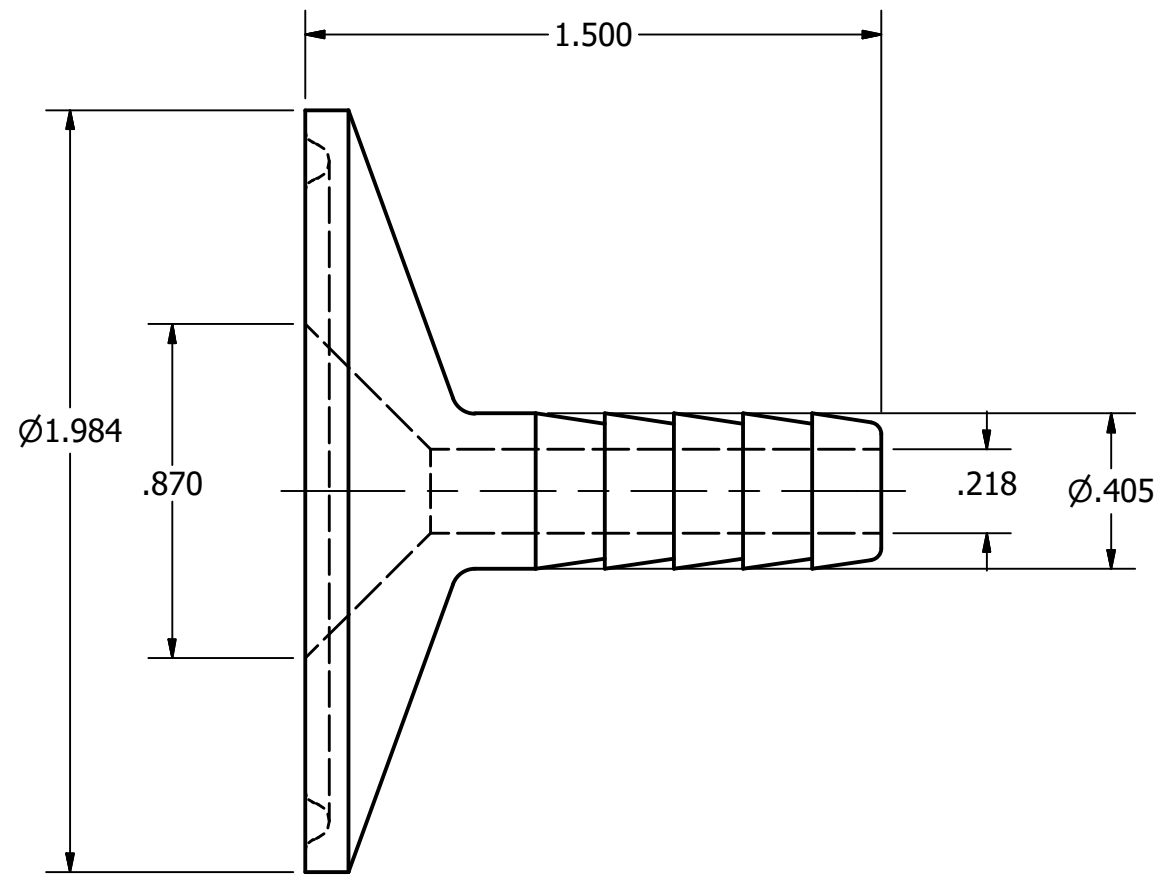
1

B

B

A

A



TOLERANCES	DRAWN Engineering	Steel & O'Brien Mfg. Inc.	
DECIMALS: .XX $\pm .015$.XXX $\pm .005$.XXXX $\pm .0005$ ANGLES: 1°	7/29/2002		
	ALL EDGES AND FILLETS $.015 R$ UNLESS OTHERWISE SPECIFIED	1.000 TC X (3/8) .405 BARB 14MPHR	
		DWG NO: 14MPHR-1X.375	REV
SCALE: 2 : 1		SHEET 1 OF 1	

2

1

