

13MHHS - THREE SEGMENT CLAMP

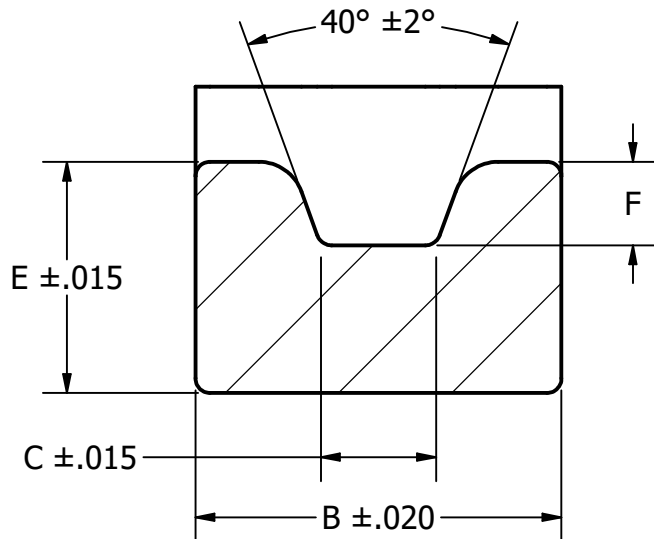
Size	Size	A	B	C	D	E	F	Thread
13MHHS-1	1" & 1 1/2"	2.122 +/- .010	.750	.242	.186	.375	.172 +/- .010	5/16-18
13MHHS-2	2"	2.654 +/- .010	.750	.242	.250	.375	.172 +/- .010	5/16-18
13MHHS-2.5	2 1/2"	3.185 +/- .010	.750	.242	.295	.375	.172 +/- .010	5/16-18
13MHHS-3	3"	3.717 +/- .010	.750	.242	.250	.375	.172 +/- .010	5/16-18
13MHHS-4	4"	4.820 +/- .010	.750	.242	.250	.375	.172 +/- .010	5/16-18
13MHHS-6	6"	6.695 +/- .020	1.000	.449		.470	.286 +/- .020	5/16-18
13MHHS-12	12"	12.740 +/- .020	1.250	.465		.750	.286 +/- .020	3/8-16

NOTES:

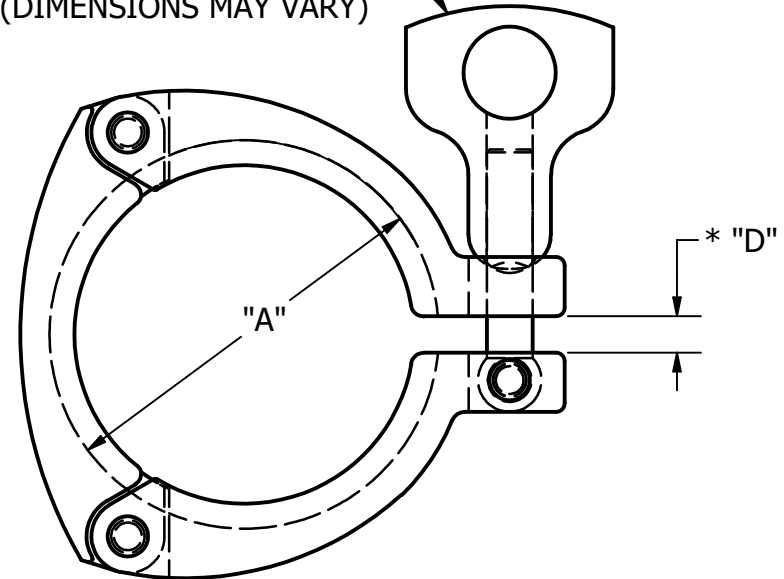
DIMENSIONS ARE FOR REFERENCE ONLY  
ALL DIMENSIONS IN INCHES

\* - ALL DIMENSIONS CHECKED FROM THIS  
DIMENSION

\*FOR GENERAL INFORMATION PURPOSES ONLY  
ACTUAL APPEARANCE MAY VARY.



WINGNUT WITH HOLE  
(DESIGN AS SHOWN)  
(DIMENSIONS MAY VARY)



REVISION HISTORY		
REV	DESCRIPTION	DATE
1	Added "D" Dimension w/notes	8/27/14
2	Added Thread	11/13/14
2	Added F Depth	11/13/14
2	Added E Thickness	11/13/14

TOLERANCES  
  
REFER TO  
STEEL & O'BRIEN  
DOCUMENT # QS121

**Steel & O'Brien Mfg. Inc.**

TITLE  
13MHHS THREE SEGMENT CLAMP

DWG NO: **13MHHS**

REV  
2

SCALE: NTS

SHEET 1 OF 1

REV	DESCRIPTION	DATE
1	Added "D" Dimension w/notes	8/27/14
2	Added Thread	11/13/14
2	Added F Depth	11/13/14
2	Added E Thickness	11/13/14

Size	Size	A	B	C	D	E	F	Thread
1" & 1 1/2"	1" & 1 1/2"	2.122 +/- .010	.750	.242	.186	.375	.172 +/- .010	5/16-18
2"	2"	2.654 +/- .010	.750	.242	.250	.375	.172 +/- .010	5/16-18
2 1/2"	2 1/2"	3.185 +/- .010	.750	.242	.295	.375	.172 +/- .010	5/16-18
3"	3"	3.717 +/- .010	.750	.242	.250	.375	.172 +/- .010	5/16-18
4"	4"	4.820 +/- .010	.750	.242	.250	.375	.172 +/- .010	5/16-18
6"	6"	6.695 +/- .020	1.000	.449		.470	.286 +/- .020	5/16-18
12"	12"	12.740 +/- .020	1.250	.465		.750	.286 +/- .020	3/8-16