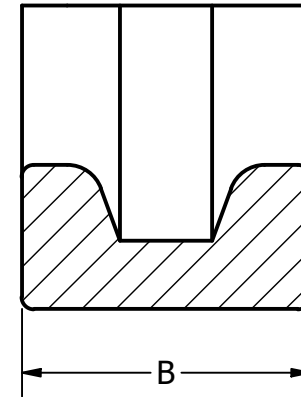
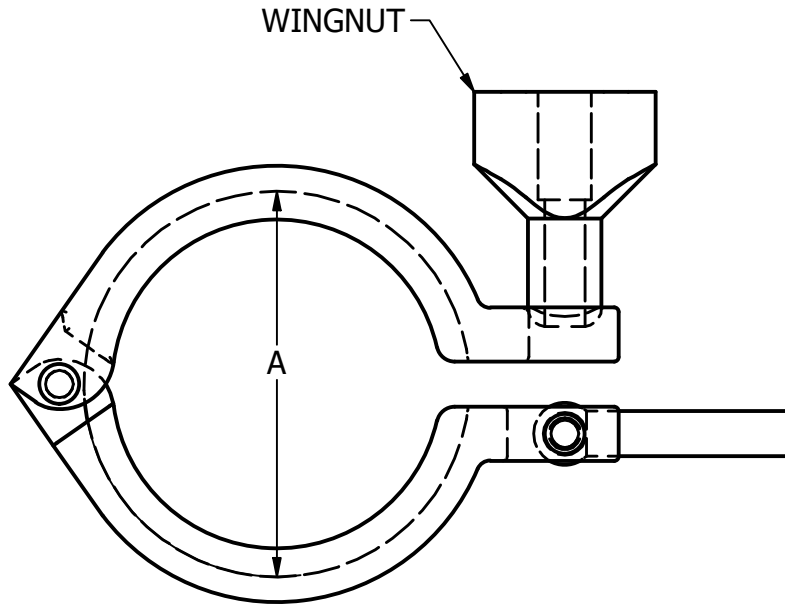


P13MHHM - Single Pin P-Clamp

Part No.	Size	A	B	Thread
P13MHHM-.50	1/2" & 3/4"	1.125	.750	5/16-18
P13MHHM-1	1" & 1-1/2"	2.122	.750	5/16-18
P13MHHM-2	2"	2.654	.750	5/16-18
P13MHHM-25	2-1/2"	3.185	.750	5/16-18
P13MHHM-3	3"	3.717	.750	5/16-18
P13MHHM-4	4"	4.820	.750	5/16-18



NOTES:
ALL DIMENSIONS IN INCHES

Size	PSI	
	@ 70°F	@ 250°F
1/2" & 3/4"	1500	1200
1" & 1 1/2"	500	300
2"	450	300
2 1/2"	400	200
3"	350	195
4"	300	150

TOLERANCES

REFER TO
STEEL & O'BRIEN
DOCUMENT # QS121

Steel & O'Brien Mfg. Inc.

TITLE
P13MHHM - SINGLE PIN "P" CLAMP

DWG NO: **P13MHHM**

SCALE: NTS

REV

SHEET 1 OF 1