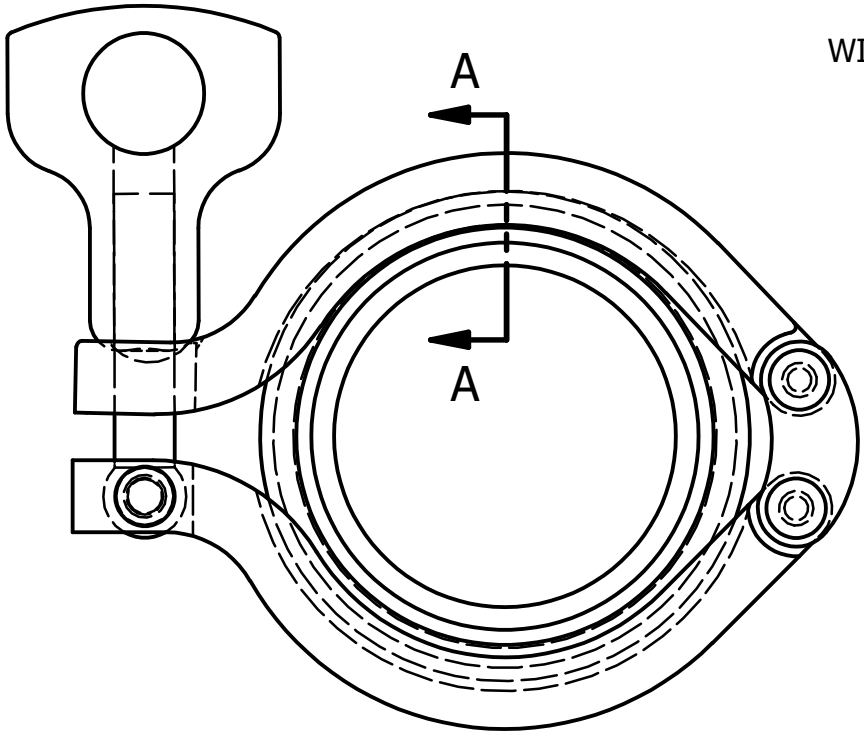


PSI	
SIZE	@ 70°F
1 1/2"	50
2"	50
2 1/2"	50
3"	50
4"	50



WIDE GROOVE CLAMP

TEFLON COLLAR

PTFE/EPDM ENVELOPE GASKET

SECTION A-A  
SCALE 2 : 1

\* SWIVEL JOINTS ARE INTENDED FOR USE ONLY IN LOW PRESSURE APPLICATIONS.

<b>TOLERANCES</b>  DECIMALS: .XX ±.125 .XXX ±.050 ANGLES: 1°	DRAWN R. Canell 11/13/2015	<b>Steel &amp; O'Brien Mfg. Inc.</b>	
	<b>UNLESS OTHERWISE NOTED:</b>  >REFER TO DOC# QS121 FOR GENERAL TOLERANCES	TITLE CLAMP ASSEMBLY SWIVEL JOINT	
		DWG NO: <b>A12MPS</b>	REV
	SCALE: 1 : 1		SHEET 1 OF 1