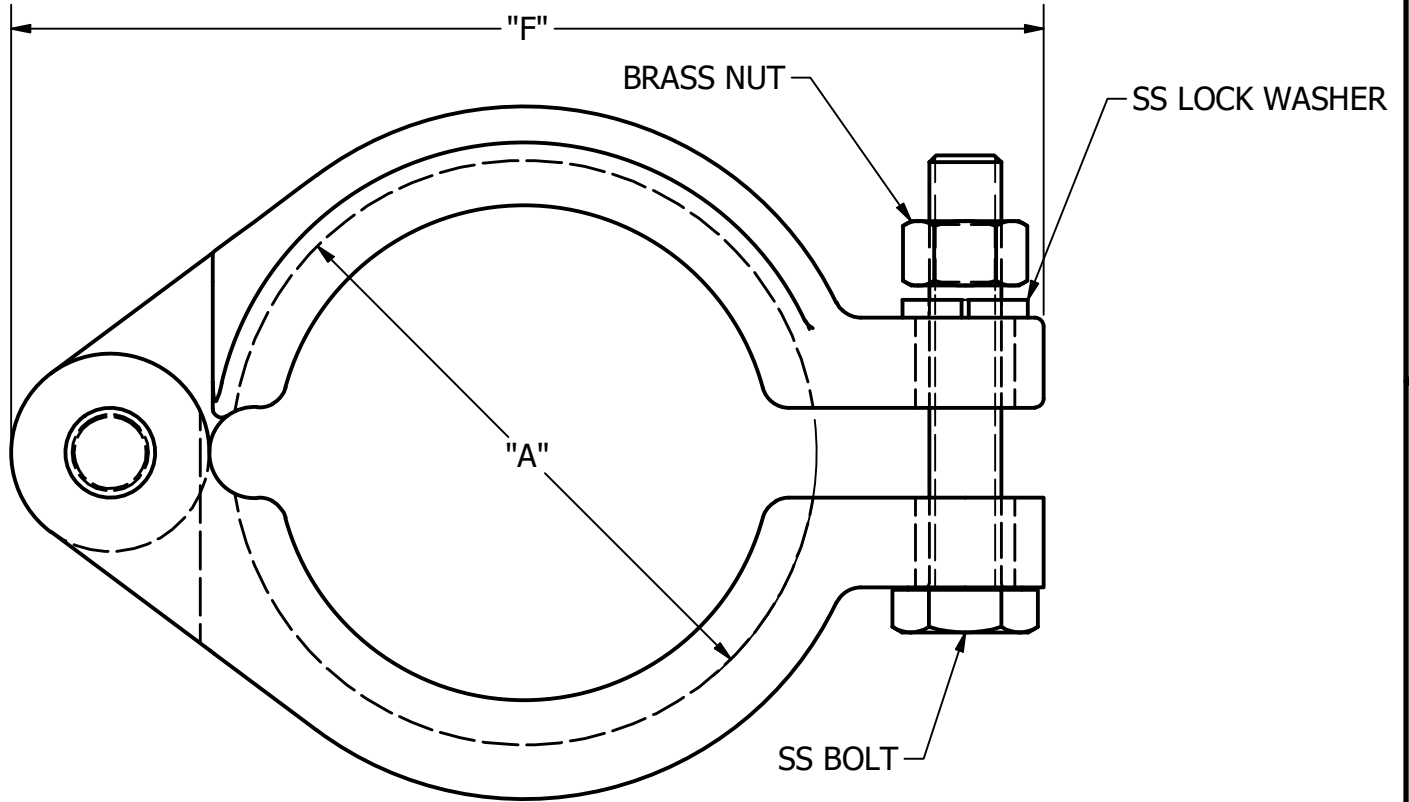
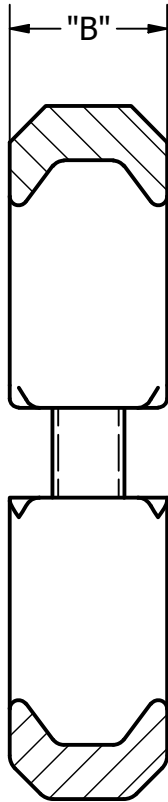


13I - I-Line Clamp, Bolted Style (Inch)

Part Number	Size	"A"	"B"	"F"
13I-1	1" & 1 1/2"	2.124	.75	3.94
13I-2	2"	2.843	1.00	4.94
13I-2.5	2 1/2"	3.468	1.08	6.00
13I-3	3"	4.031	1.08	6.50
13I-4	4"	5.031	1.17	8.81
13I-6	6"	7.688	1.24	11.25
13I-8	8"	9.688	1.24	13.25



TOLERANCES REFER TO STEEL & O'BRIEN DOCUMENT # QS121	Steel & O'Brien Mfg. Inc.	
	TITLE 13I - I-Line Clamp, Bolted Style	
	DWG NO: 13I	REV 1
	SCALE: NTS	SHEET 1 OF 1