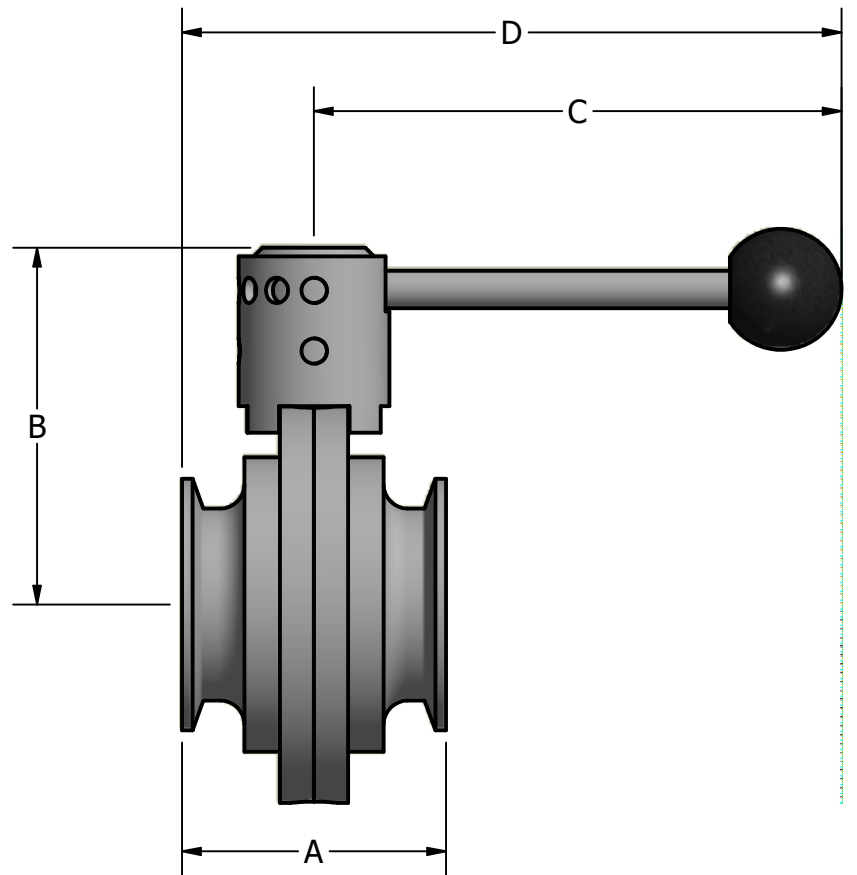


REFERENCE DIMENSIONS (inch)					
PART#	OD SIZE	A	B	C	D
BFVPC-1	1.0" (25.40mm)	2.60	3.20	5.49	6.79
BFVPC-15	1.5" (38.10mm)	2.60	3.33	5.49	6.79
BFVPC-2	2.0" (50.80mm)	2.75	3.72	5.49	6.87
BFVPC-25	2.5" (63.50mm)	2.75	3.85	5.49	6.87
BFVPC-3	3.0" (76.20mm)	3.00	4.25	5.49	7.00
BFVPC-4	4.0" (101.60mm)	3.00	4.75	6.87	8.37

VALVE SEAT MATERIAL OPTIONS:
SILICONE-RED
VITON
EPDM



TOLERANCES	DRAWN R CANELL 7/18/2012
	UNLESS OTHERWISE NOTED: >ALL WELDS ARE AUTOGENOUS BUTTWELD >WELDS POLISHED FLUSH >32Ra ID/OD >REFER TO DOC# QS121 FOR GENERAL TOLERANCES

Steel & O'Brien Mfg. Inc.	
TITLE CLAMP ENDS PULL HANDLE BUTTERFLY VALVE	
DWG NO: BFVPC	REV
SCALE: 1 : 1	SHEET 1 OF 1

