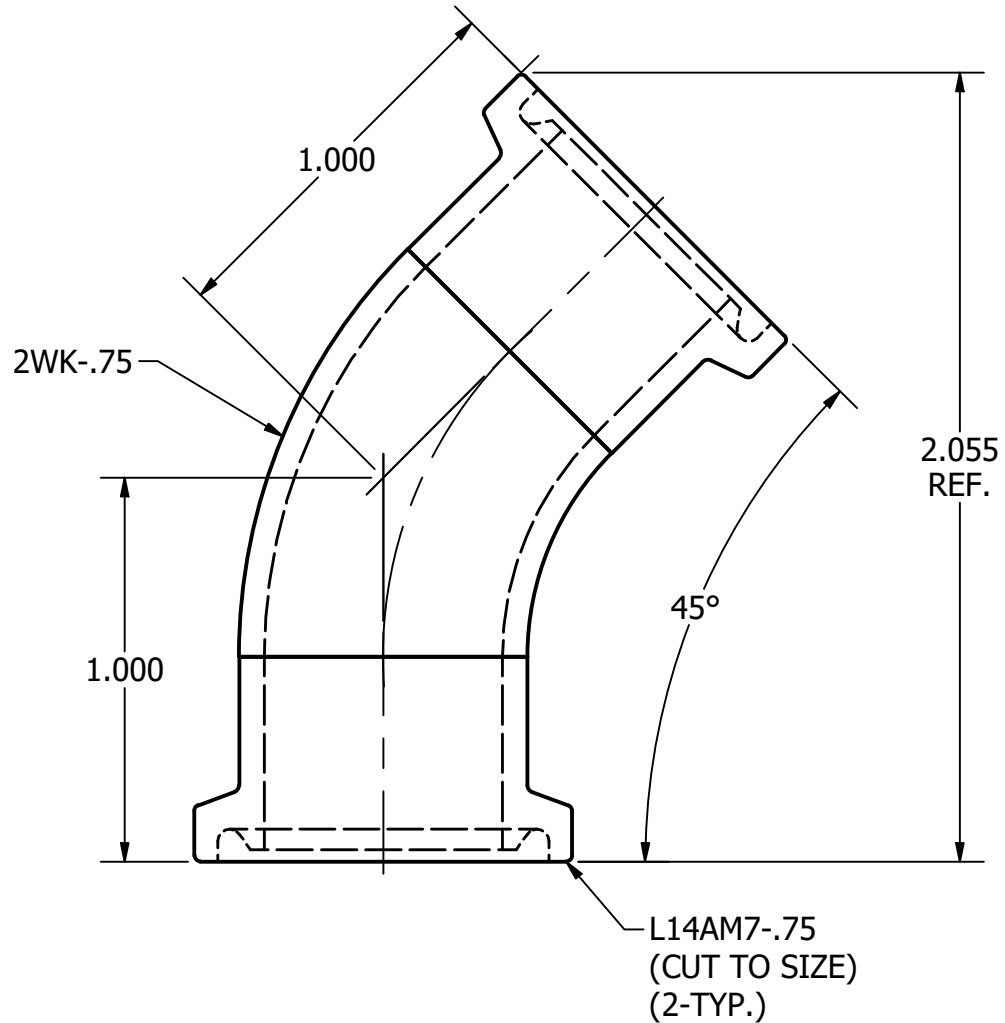


2

1

B

B



A

A

<b>TOLERANCES</b>		DRAWN L. Brown		<b>Steel &amp; O'Brien Mfg. Inc.</b>	
DECIMALS: .XX ±.015 .XXX ±.005 ANGLES: 1°		8/25/2021			
MAT'L: 316L		<b>UNLESS OTHERWISE NOTED:</b> >PART TO CONFORM TO THE LATEST ASME-BPE SPECIFICATION FOR TOLERANCES, MATERIAL AND MARKING >ALL EDGES AND FILLETS .015 RADIUS		TITLE 3/4" TC 45 ELBOW	
		DWG NO: <b>S2KMP-.75</b>		REV	
		SCALE: 2 : 1		SHEET 1 OF 1	

2

1

↑