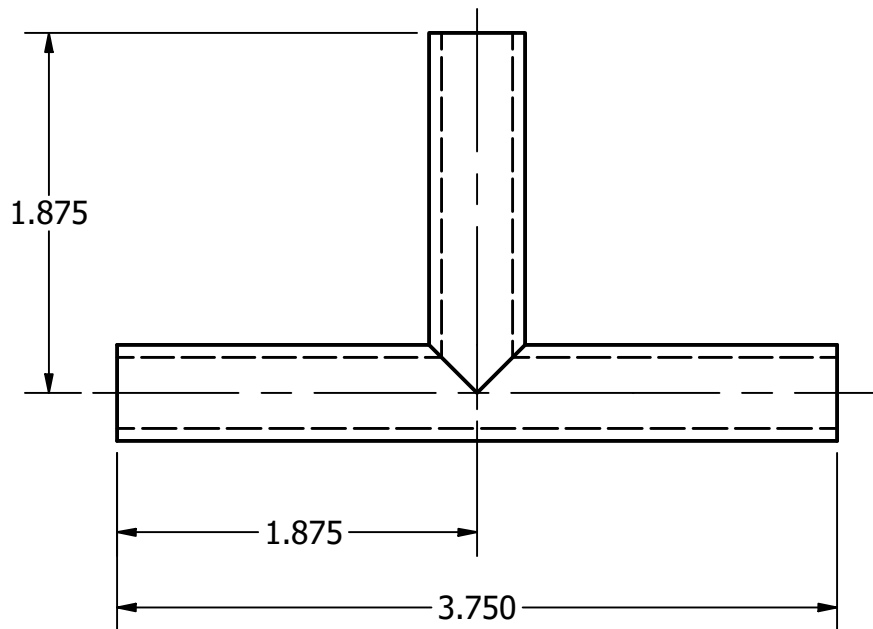


2

1

B

B



A

A

2

1



TOLERANCES		DRAWN R. Canell 9/30/2014		Steel & O'Brien Mfg. Inc.	
DECIMALS: .XX ±.015 .XXX ±.005 .XXXX ±.0005 ANGLES: 1° REFER TO QS121		ALL EDGES AND FILLETS .015 R UNLESS OTHERWISE SPECIFIED			
				DWG NO: 7W-.50	
				SCALE: 1 : 1	
				SHEET 1 OF 1	
				REV	