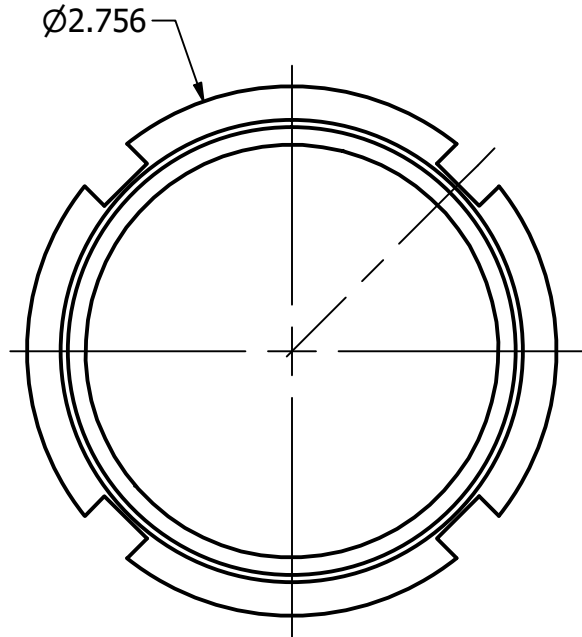


DIN 405 RD58 x 1/6 (6 THREADS / INCH)  
D.O.T.=.083



TOLERANCES	DRAWN K. Lane 12/24/2019
	ALL EDGES AND FILLETS .015 R UNLESS OTHERWISE SPECIFIED

<b>Steel &amp; O'Brien Mfg. Inc.</b>	
TITLE DN32 DIN 11851/11864 BLIND NUT	
DWG NO: <b>DN13RB-DN32</b>	REV 1
SCALE: 1 : 1	SHEET 1 OF 1

DECIMALS:  
.XX ±.015  
.XXX ±.005  
.XXXX ±.0005  
ANGLES: 1°