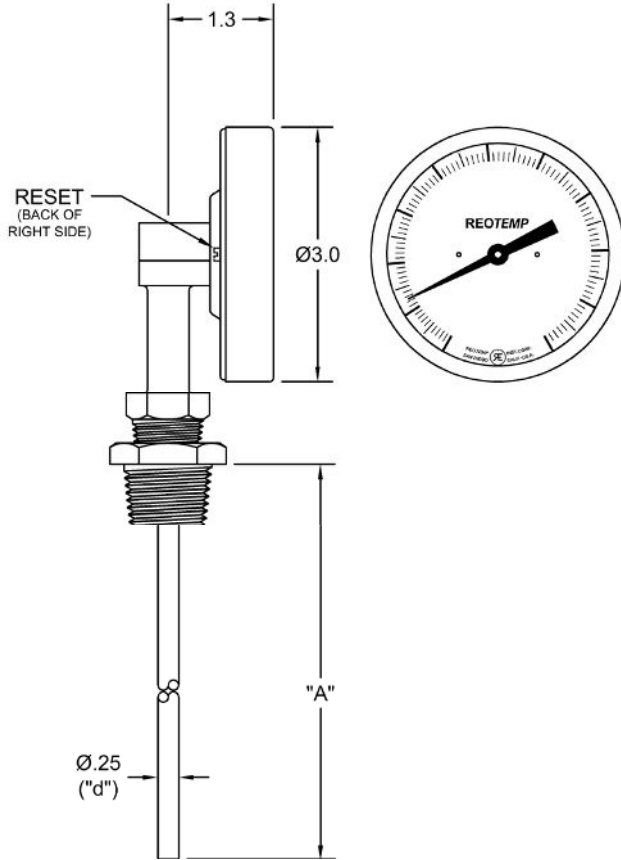


Bimetal Thermometer



Part #:	
	XR0255F47
Description:	
	Industrial Bimetal Dial Thermometer, 3" Dial Bottom Conn./Reset, 2.5" Stem, 3/4" NPT Adaptor, 0/250°F

Thermometer Data:	
<i>Dial Size/ Configuration:</i>	3" Dial Bottom Conn./Reset
<i>Stem Length, "A" :</i>	2.5 in. (64mm)
<i>Stem Dia., "d" :</i>	1/4"
<i>Process Connection:</i>	3/4" NPT Adaptor
<i>Temperature Range:</i>	0/250°F
<i>Accuracy:</i>	+/- 1% of full scale
<i>Actuation:</i>	Bimetal coil in stem
<i>Sealing:</i>	Hermetically Sealed per ASME B40.3

Revisions*:	Data generated on:	4/30/2023
Latest Rev:	x1	Rev. Date: 11/1/2012
Description:	Initial Release	

*Revision date applies to all possible data: Individual drawings may not be affected. To obtain current revision, re-generate drawing at reotemp.com.

Part Name: XR0255F47			DATE	SEE ABOVE
UNLESS OTHERWISE SPECIFIED DIMENSIONS ARE IN INCHES		Reotemp Instrument Corporation		10656 Roselle Street
TOLERANCES ARE:		REOTEMP		San Diego, CA 92121 USA
FRACTIONS	DECIMALS	ANGLES	Phone: (858) 784-0710	
± 1/32	.X ± .2	± 5°	Fax: (858) 784-0720	
	.XX ± .01		APPROVED	
	.XXX ± .005		DRAWN BY JR	
File Control	BH-XR	SIZE	CAGE CODE:	DWG NO.
	BC-5X	B	24793	SEE ABOVE
	BS-25	© 2021 Reotemp Instrument Corp.		SCALE: NTS
			FILE NAME:	SHEET 1 OF 1

THIS DRAWING AND SPECIFICATIONS ARE THE PROPERTY OF REOTEMP INSTRUMENT CORP. AND ARE ISSUED IN STRICT CONFIDENCE AND SHALL NOT BE REPRODUCED, COPIED OR USED AS THE BASIS FOR MANUFACTURE OR SALE OF ITEMS DEPICTED HEREIN WITHOUT WRITTEN PERMISSION FROM REOTEMP INSTRUMENT CORP.
 NOTES (UNLESS OTHERWISE SPECIFIED):
 1. DIMENSIONS ARE IN INCHES