

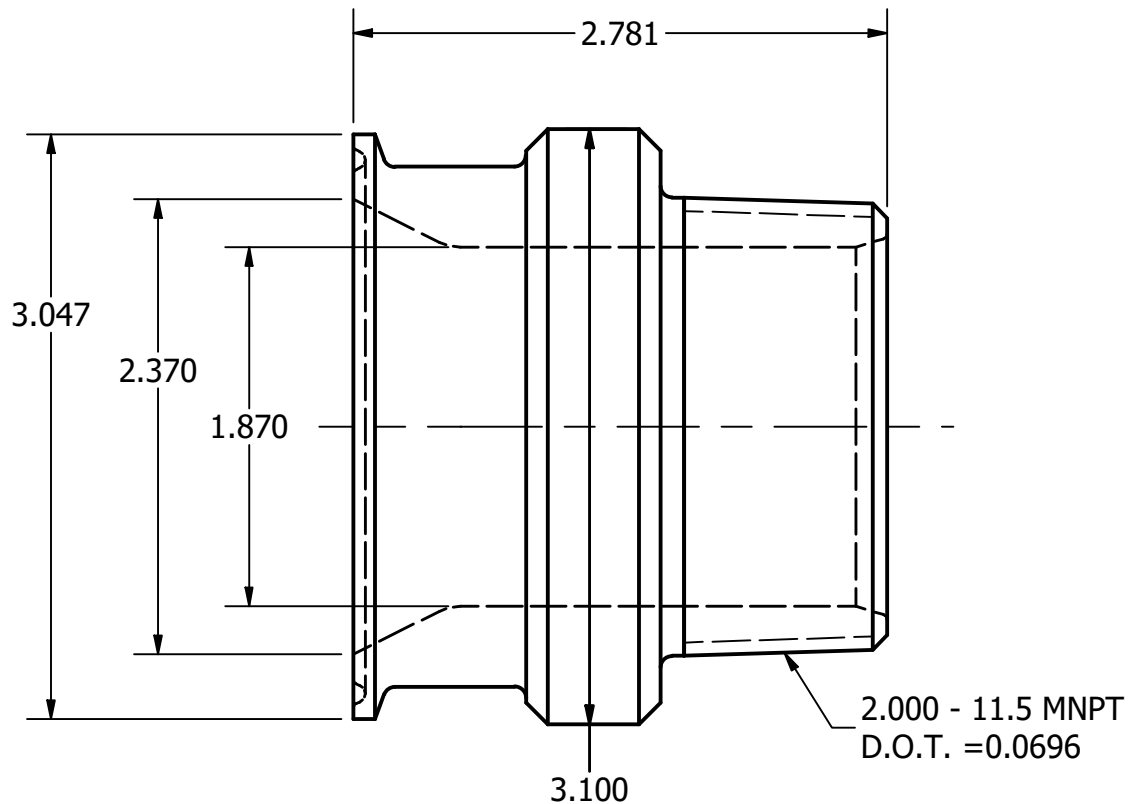
2



1

B

B



A

A

TOLERANCES		DRAWN Engineering 12/14/2015		Steel & O'Brien Mfg. Inc.	
DECIMALS: .XX ±.015 .XXX ±.005 .XXXX ±.0005 ANGLES: 1°		ALL EDGES AND FILLETS .015 R UNLESS OTHERWISE SPECIFIED			
			DWG NO: 21MP-2.5X2		REV
			SCALE: 1 : 1		SHEET 1 OF 1

2



1