

2

1

REFERENCE DIMENSIONS (inch)

PART#	OD SIZE	A	B	C	D
BFVPC-1	1.0" (25.40mm)	2.60	3.20	5.49	6.79
BFVPC-1.5	1.5" (38.10mm)	2.60	3.33	5.49	6.79
BFVPC-2	2.0" (50.80mm)	2.75	3.72	5.49	6.87
BFVPC-2.5	2.5" (63.50mm)	2.75	3.85	5.49	6.87
BFVPC-3	3.0" (76.20mm)	3.00	4.25	5.49	7.00
BFVPC-4	4.0" (101.60mm)	3.00	4.75	6.87	8.37
BFVPC-6	6.0" (152.40mm)	5.50	6.22	8.25	11.13

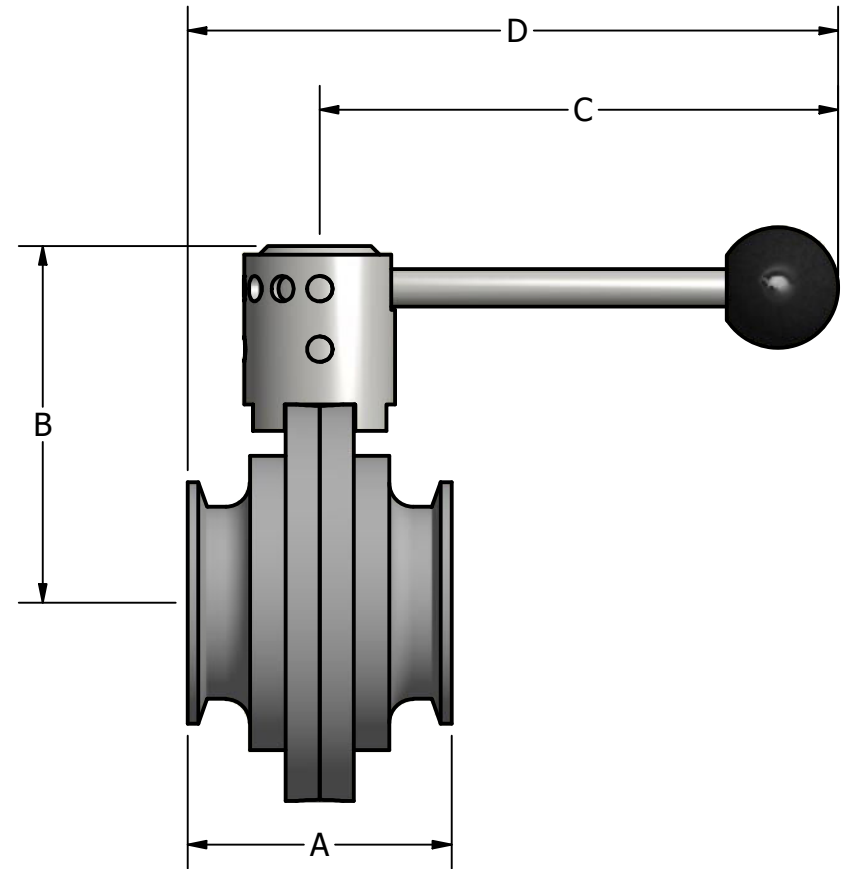
COMPONENT MATERIALS:

BFVPC BODY AND BUTTERFLY: 304 OR 316L STAINLESS STEEL

FOUR POSITION HANDLE: 304 STAINLESS STEEL

HANDLE BALL: NON-METALLIC

VALVE SEAT OPTIONS: SILICONE RED, VITON, EPDM



TOLERANCES

DECIMALS:
.XX ±.125
.XXX ±.050
ANGLES: 1°

DRAWN
R CANELL
7/18/2012

UNLESS OTHERWISE NOTED:
>ALL WELDS ARE AUTOGENOUS
BUTTWELD
>WELDS POLISHED FLUSH
>32Ra ID/OD
>REFER TO DOC# QS121 FOR
GENERAL TOLERANCES

Steel & O'Brien Mfg. Inc.

TITLE

CLAMP ENDS PULL HANDLE BUTTERFLY VALVE

DWG NO: **BFVPC**REV
2

SCALE: 1 : 1

SHEET 1 OF 1

REVISION HISTORY

REV	DESCRIPTION	DATE
1	Added 6" Size	8/27/13
2	Comp. Mat'l	2/14/2023

2

1