

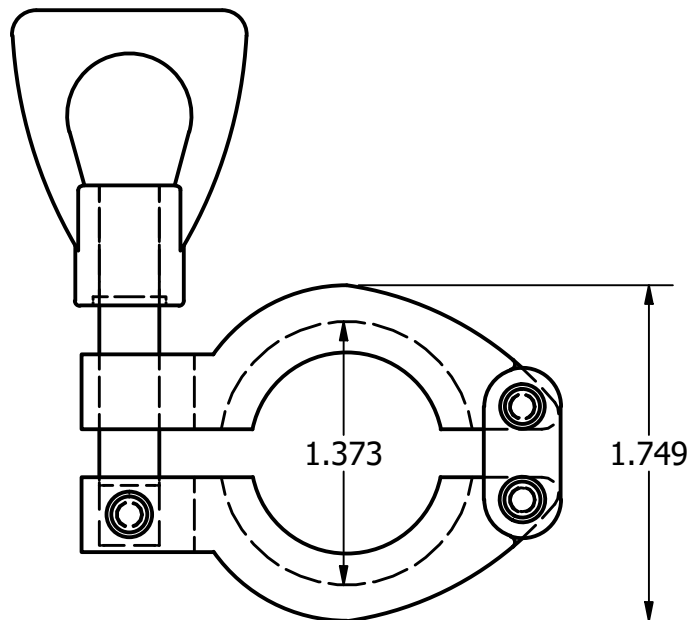
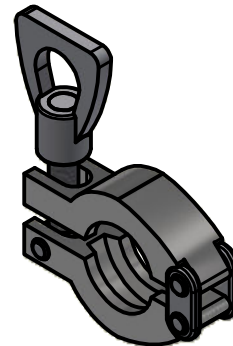
2



1

B

B



A

A

TOLERANCES		DRAWN M.Wardour 2/21/2023	Steel & O'Brien Mfg. Inc.	
DECIMALS: .XX ±.015 .XXX ±.005 .XXXX ±.0005 ANGLES: 1°		ALL EDGES AND FILLETS .015 R UNLESS OTHERWISE SPECIFIED		
SCALE: 1 : 1			DWG NO: DN13MHHM-DN10	REV
			SHEET 1 OF 1	

2



1