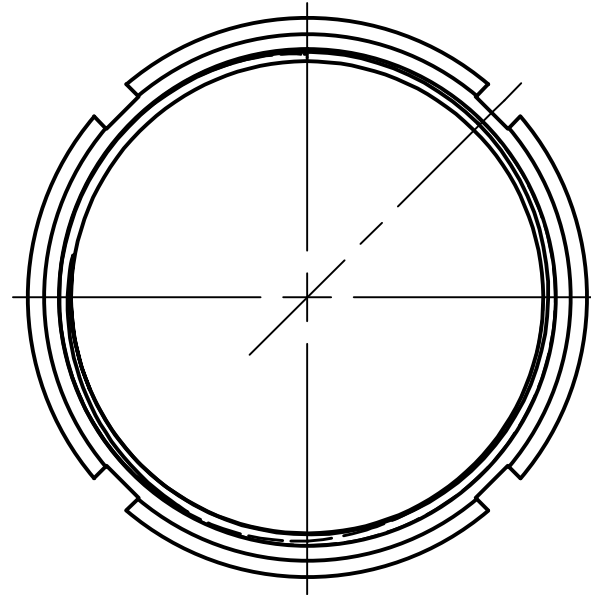


DIN 405 RD130 x 1/4 (4 THREADS/INCH)
D.O.T. = .125



| | | | | |
|--|--|--|--------------|-----|
| TOLERANCES | DRAWN K. Lane | Steel & O'Brien Mfg. Inc. | | |
| | 10/11/2019 | | | |
| DECIMALS: .XX ±.015 .XXX ±.005 .XXXX ±.0005 ANGLES: 1° | ALL EDGES AND FILLETS .015 R UNLESS OTHERWISE SPECIFIED | TITLE DN100 DIN 11851/11864 BLIND NUT | | |
| | | DWG NO: DN13RB-DN100 | | REV |
| | | SCALE: 1 : 2 | SHEET 1 OF 1 | |