



Custom Logo



PC25N2



PC25S2

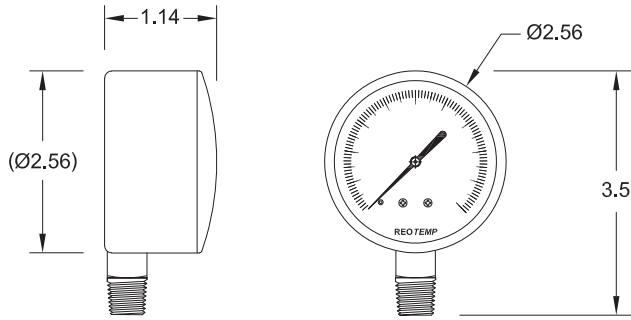
FEATURES / BENEFITS

- Sensitive Diaphragm/Capsule Mechanism
- Black Steel or Stainless Steel Case
- Easy-Access Zero Reset on Dial
- Economical Design for Non-Severe Service



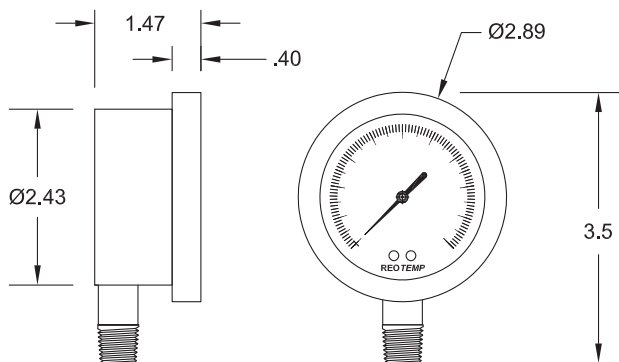
SPECIFICATIONS

Accuracy	3 - 2 - 3%, ASME Grade B
Ambient Limits	-40°F/140°F
Process Limits	-40°F/140°F
Process Limits with Diaphragm Seal	Cannot be mounted to a diaphragm seal.
Wetted Materials	Capsule: Copper Alloy Socket: Copper Alloy
Lens	Plastic (Standard on "N" case, optional on "S" case) Glass (Standard on "S" case, not available on "N" case)
Other Materials	Case: Black Painted Steel or 304SS Ring: Snap-In Plastic or 304SS Dial: White Aluminum, Black Letters Case-to-Socket: Screw Connection
Fillable	No
Restrictor Screw	No
Maximum Working Pressure	Stable = 100% Momentary = 110% of scale
Weight	PC25N = .25 lbs, PC25S = .4 lbs



PC25N2

*dimensions in inches



PC25S2

*dimensions in inches