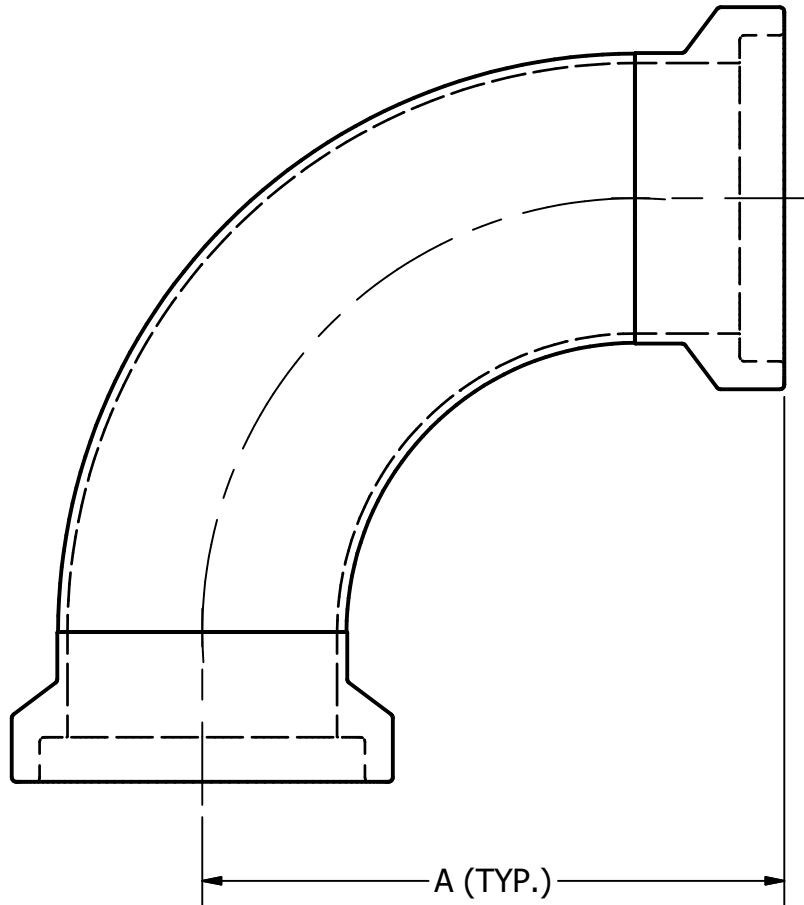


PART NO.	A
2CI-1	2.286
2CI-1.5	3.192
2CI-2	4.036
2CI-2.5	4.911
2CI-3	5.723
2CI-4	7.348



TOLERANCES	Steel & O'Brien Mfg. Inc.	
REFER TO STEEL & O'BRIEN DOCUMENT # QS121	TITLE FEMALE I-LINE 90 DEG ELBOW ASSY	
	DWG NO: 2CI	REV
	SCALE: N/A	SHEET 1 OF 1