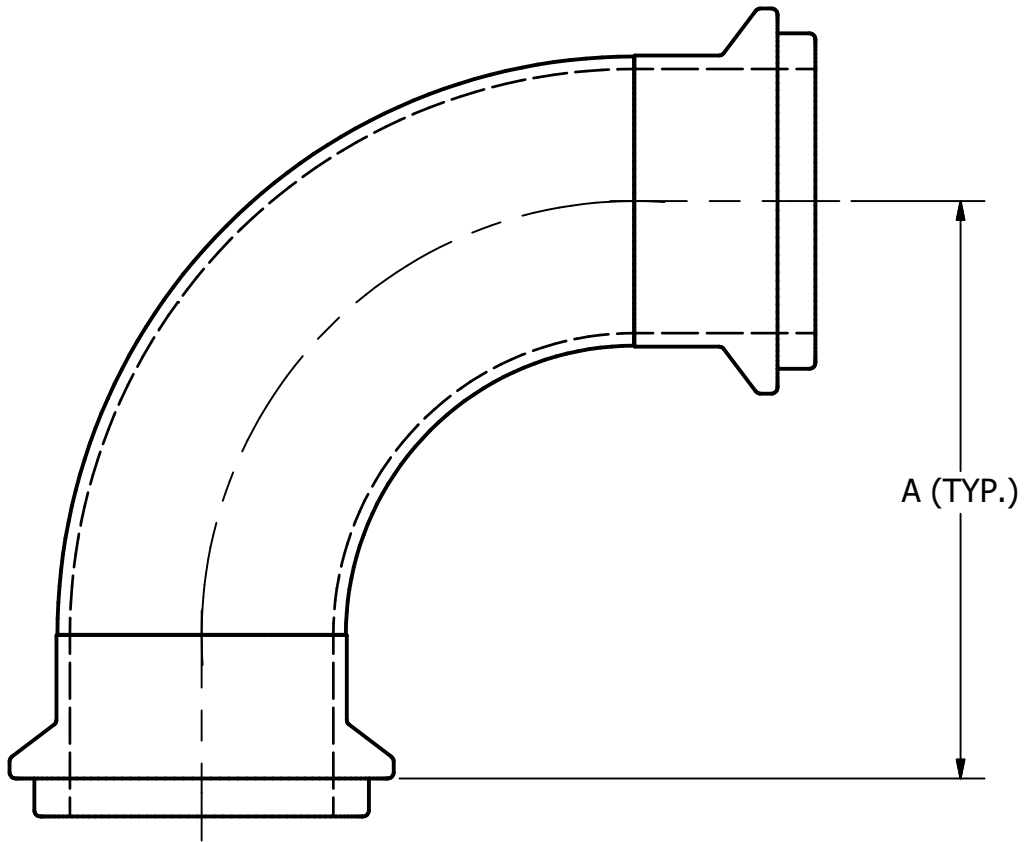


PART NO.	A
2EI-1	2.286
2EI-1.5	3.000
2EI-2	3.780
2EI-2.5	4.600
2EI-3	5.401
2EI-4	7.348
2EI-6	10.005



TOLERANCES
REFER TO STEEL & O'BRIEN DOCUMENT # QS121

Steel & O'Brien Mfg. Inc.	
TITLE MALE I-LINE 90DEG ELBOW	
DWG NO: 2EI	REV
SCALE: N/A	SHEET 1 OF 1