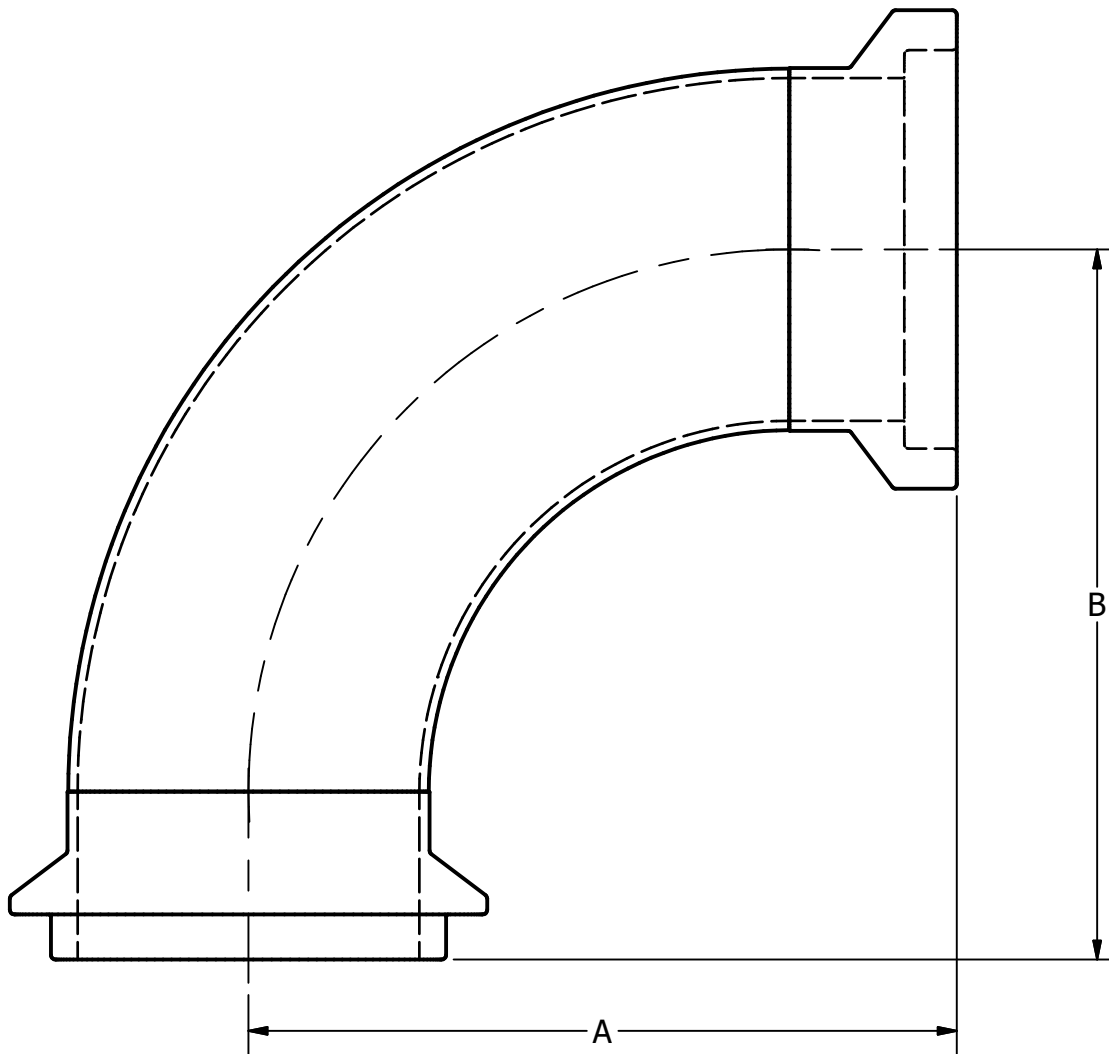


PART NO.	A	B
2FI-1	2.286	2.090
2FI-1.5	3.192	2.880
2FI-2	4.036	3.780
2FI-2.5	4.911	4.600
2FI-3	5.721	5.412
2FI-4	7.348	7.037
2FI-6	10.130	10.130



TOLERANCES	Steel & O'Brien Mfg. Inc.	
REFER TO STEEL & O'BRIEN DOCUMENT # QS121	TITLE MALE x FEMALE I-LINE 90 DEG ELBOW	
	DWG NO: 2FI	REV
	SCALE: N/A	SHEET 1 OF 1