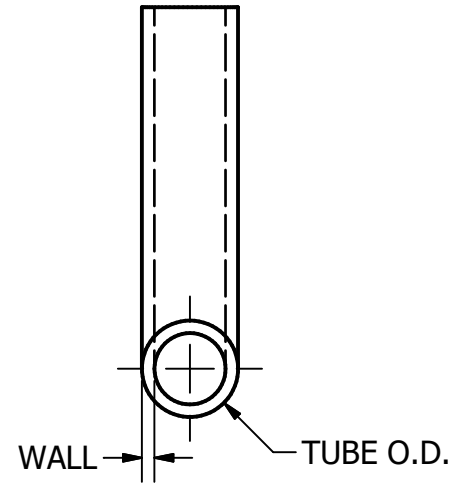
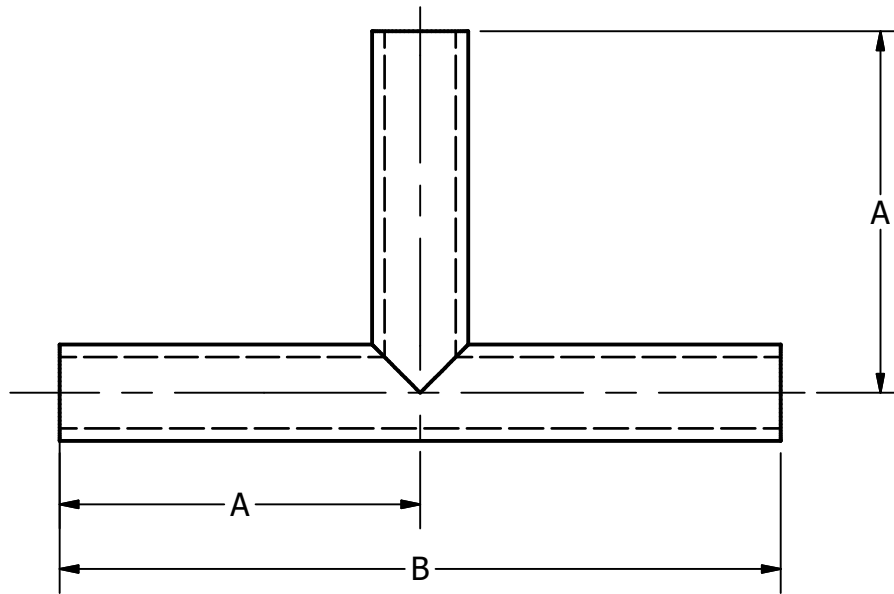


Part Number	TUBE O.D.	Wall	A	B
7W-.50	0.500 in	0.065 in	1.875 in	3.750 in
7W-.75	0.750 in	0.065 in	1.875 in	3.750 in
7W-1	1.000 in	0.065 in	1.875 in	3.750 in
7W-2	2.000 in	0.065 in	3.000 in	6.000 in
7W-3	3.000 in	0.065 in	3.250 in	6.500 in
7W-4	4.000 in	0.083 in	3.875 in	7.750 in
7W-6	6.000 in	0.109 in	5.000 in	10.000 in
7W-1.5	1.500 in	0.065 in	2.250 in	4.500 in
7W-2.5	2.500 in	0.065 in	3.000 in	6.000 in
7W-1.25	1.250 in	0.065 in	2.250 in	4.500 in



TOLERANCES	<b>Steel &amp; O'Brien Mfg. Inc.</b>	
REFER TO STEEL & O'BRIEN DOCUMENT # QS121	TITLE BW TEE, LONG	
	DWG NO: <b>7W</b>	REV 0
	SCALE: 1 : 2	SHEET 1 OF 1