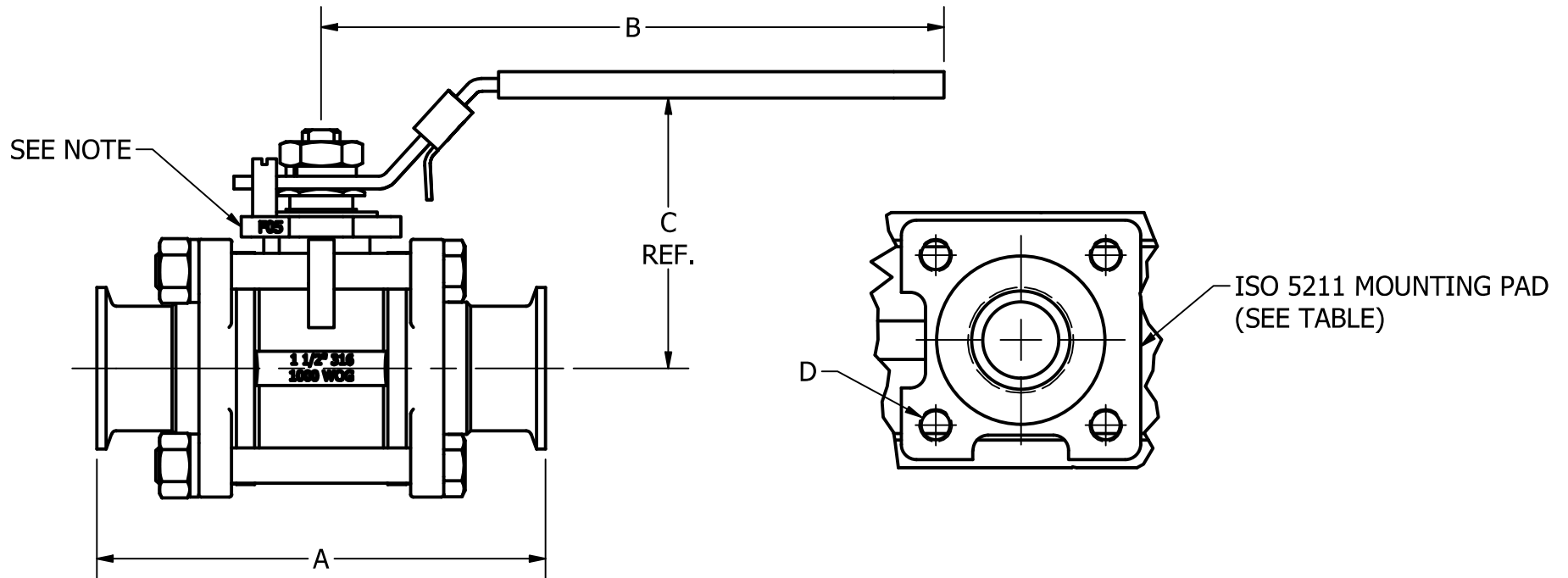


Part #	Tube Size	A	B	C	D	ISO-5211	SHELL PRESSURE
BLV2C-.50	.500"	3.50"	5.18"	2.362	M5-0.8	F03	1000 WOG
BLV2C-.75	.750"	3.98"	5.18"	2.539	M5-0.8	F03	1000 WOG
BLV2C-1	1.000"	4.49"	6.50"	2.717	M5-0.8	F04	1000 WOG
BLV2C-1.5	1.500"	5.51"	7.65"	3.307	M6-1	F05	1000 WOG
BLV2C-2	2.000"	6.14"	7.65"	3.622	M6-1	F05	1000 WOG
BLV2C-2.5	2.500"	7.76"	9.92"	5.000	M8-1.25	F07	800 WOG
BLV2C-3	3.000"	9.02"	9.92"	5.354	M8-1.25	F07	800 WOG
BLV2C-4	4.000"	9.57"	13.07"	6.260	M10-1.5	F10	800 WOG

WOG - WATER, OIL AND GAS VALVES



NOTE: INSPECT THREADED HOLES ON PAD FOR BURRS AND STRAIGHTNESS

REVISION HISTORY			
REV	DESCRIPTION	DATE	BY
1	ADDED ISO MOUNTING PAD/ COLUMN D	5/18/17	KL
2	ADDED COLUMN C	5/20/19	KL
3	REMOVED PSI / ADDED SHELL PRESSURE	12/7/2021	LB
4	UPDATED HANDLE LENGTH & PRESSURE RATINGS	8/18/23	KL

TOLERANCES
REFER TO STEEL & O'BRIEN DOCUMENT # QS121

Steel & O'Brien Mfg. Inc.	
TITLE TC X TC 3-PC BALL VALVE - MANUAL HANDLE	
DWG NO: BLV2C	REV 4
SCALE: 1 : 1	SHEET 1 OF 1