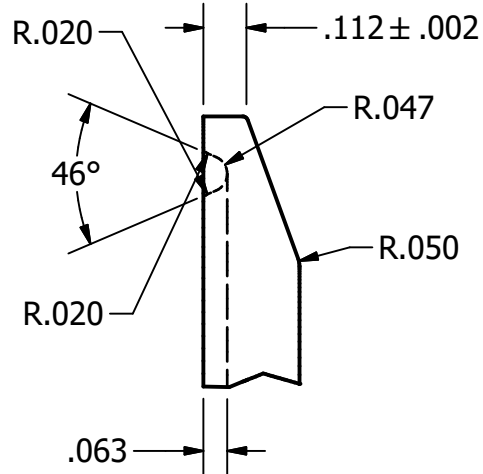
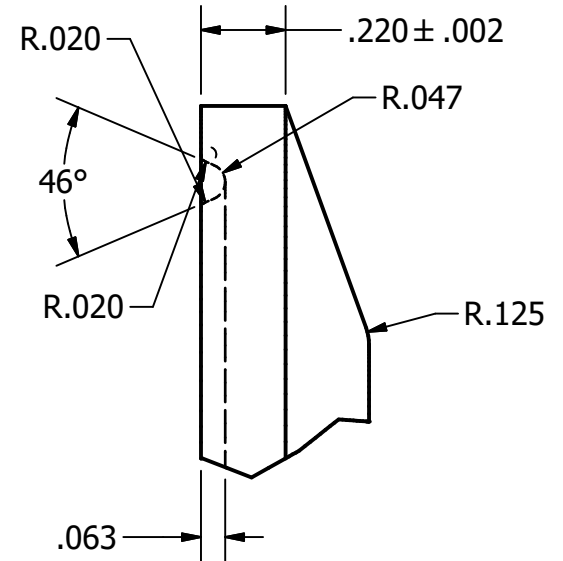


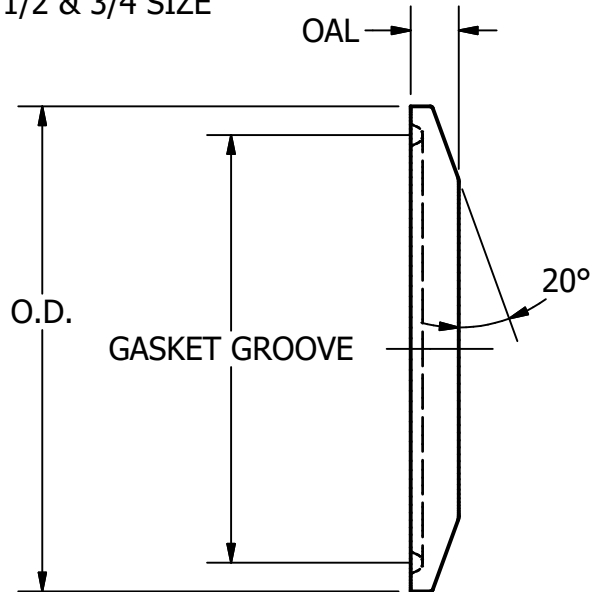
1/2 & 3/4 SIZE



1.0 - 4.0 SIZE



6.0 SIZE



Part No.	Size	OD	GASKET GROOVE	OAL
S16AMP-.50	1/2	.984	.800	.187
S16AMP-.75	3/4	.984	.800	.187
S16AMP-1	1 & 1 1/2	1.984	1.718	.250
S16AMP-2	2	2.516	2.218	.250
S16AMP-25	2-1/2	3.047	2.781	.250
S16AMP-3	3	3.579	3.281	.250
S16AMP-4	4	4.682	4.344	.312
S16AMP-6	6	6.570	6.176	.437

THE SKETCHES ARE FOR REFERENCE ONLY.
ACTUAL SHAPE OF THE CAPS MAY VARY.
ALL DIMENSIONS ARE IN INCHES.

TOLERANCES & MATERIAL

REFER TO
LATEST ASME-BPE
PUBLICATION

STEEL & O'BRIEN MFG. INC.

TITLE

CLAMP CAP S16AMP

DWG NO: **S16AMP**

REV

1

SCALE: NTS

SHEET 1 OF 1

REVISION HISTORY		
REV	DESCRIPTION	DATE
1	Updated Gasket Grooves to BPE	12/20/12