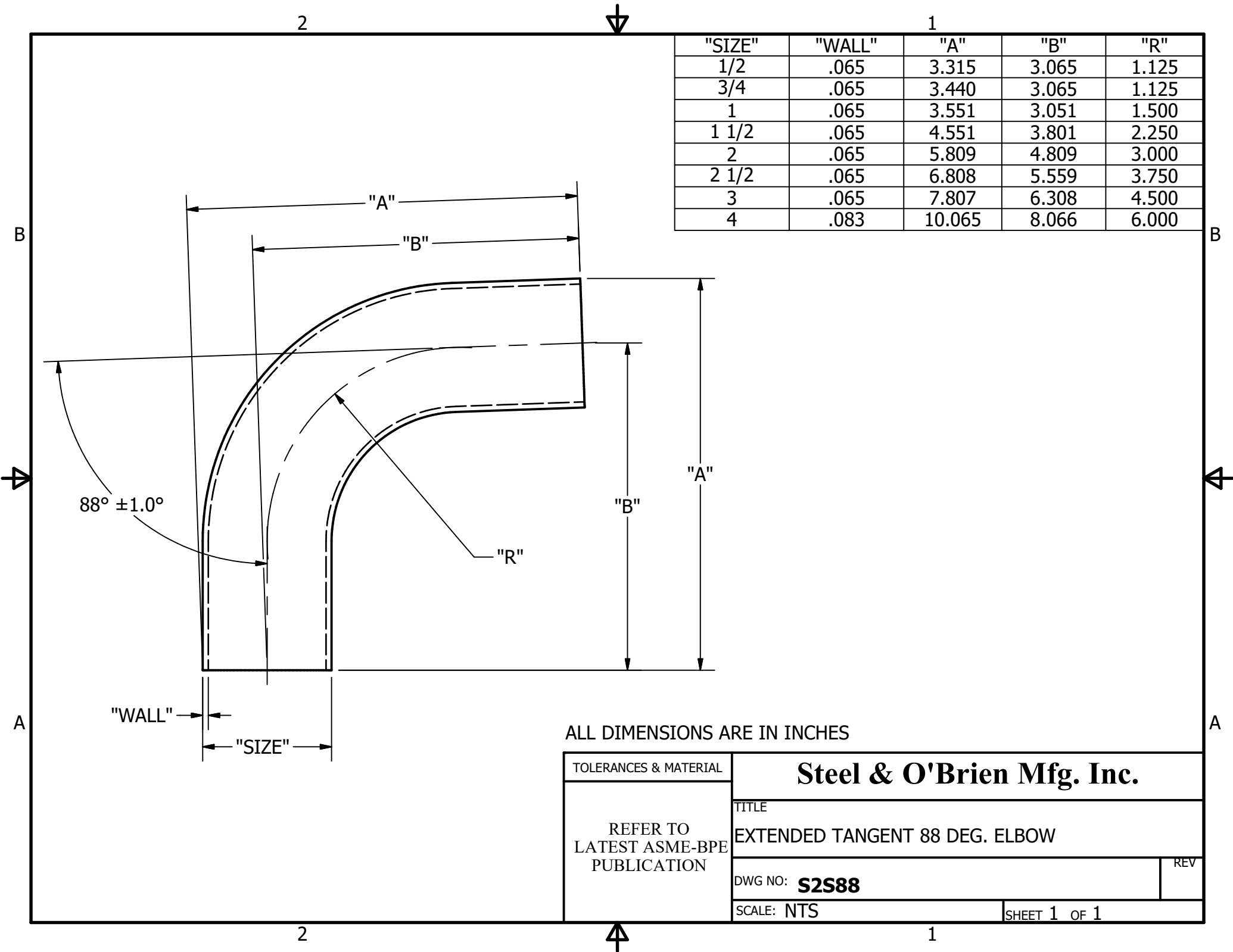


"SIZE"	"WALL"	"A"	"B"	"R"
1/2	.065	3.315	3.065	1.125
3/4	.065	3.440	3.065	1.125
1	.065	3.551	3.051	1.500
1 1/2	.065	4.551	3.801	2.250
2	.065	5.809	4.809	3.000
2 1/2	.065	6.808	5.559	3.750
3	.065	7.807	6.308	4.500
4	.083	10.065	8.066	6.000



ALL DIMENSIONS ARE IN INCHES

TOLERANCES & MATERIAL REFER TO LATEST ASME-BPE PUBLICATION	Steel & O'Brien Mfg. Inc.	
	TITLE EXTENDED TANGENT 88 DEG. ELBOW	
	DWG NO: S2S88	REV
	SCALE: NTS	SHEET 1 OF 1