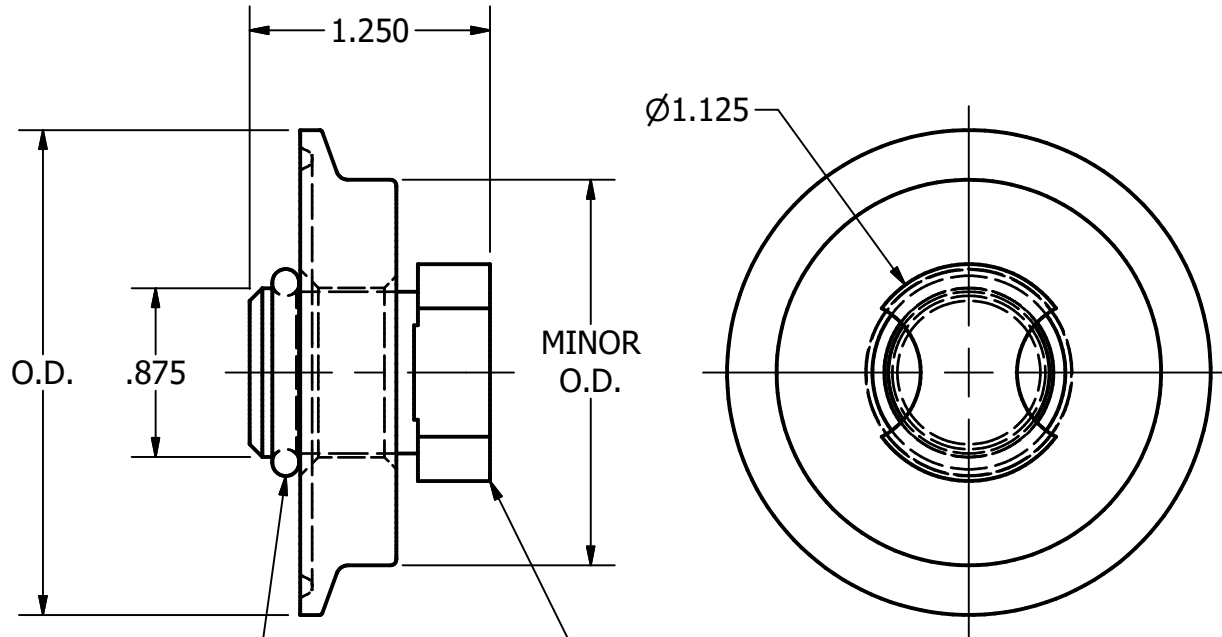


PART NO.	O.D.	MINOR I.D.
16AMPVB-1.5	1.9865	1.500
16AMPVB-2	1.9865	2.000
16AMPVB-2.5	2.6425	2.500
16AMPVB-3	3.3115	3.000
16AMPVB-4	3.8725	4.000



16AMPVB-O-RING
(#211 BUNA O-RING)

16AMPVB-SEAT
(NYLON)

TOLERANCES	Steel & O'Brien Mfg. Inc.	
REFER TO STEEL & O'BRIEN DOCUMENT # QS121	TITLE 14WLQ WELDING FERRULE	
	DWG NO: 16AMPVB	REV
	SCALE: N/A	SHEET 1 OF 1