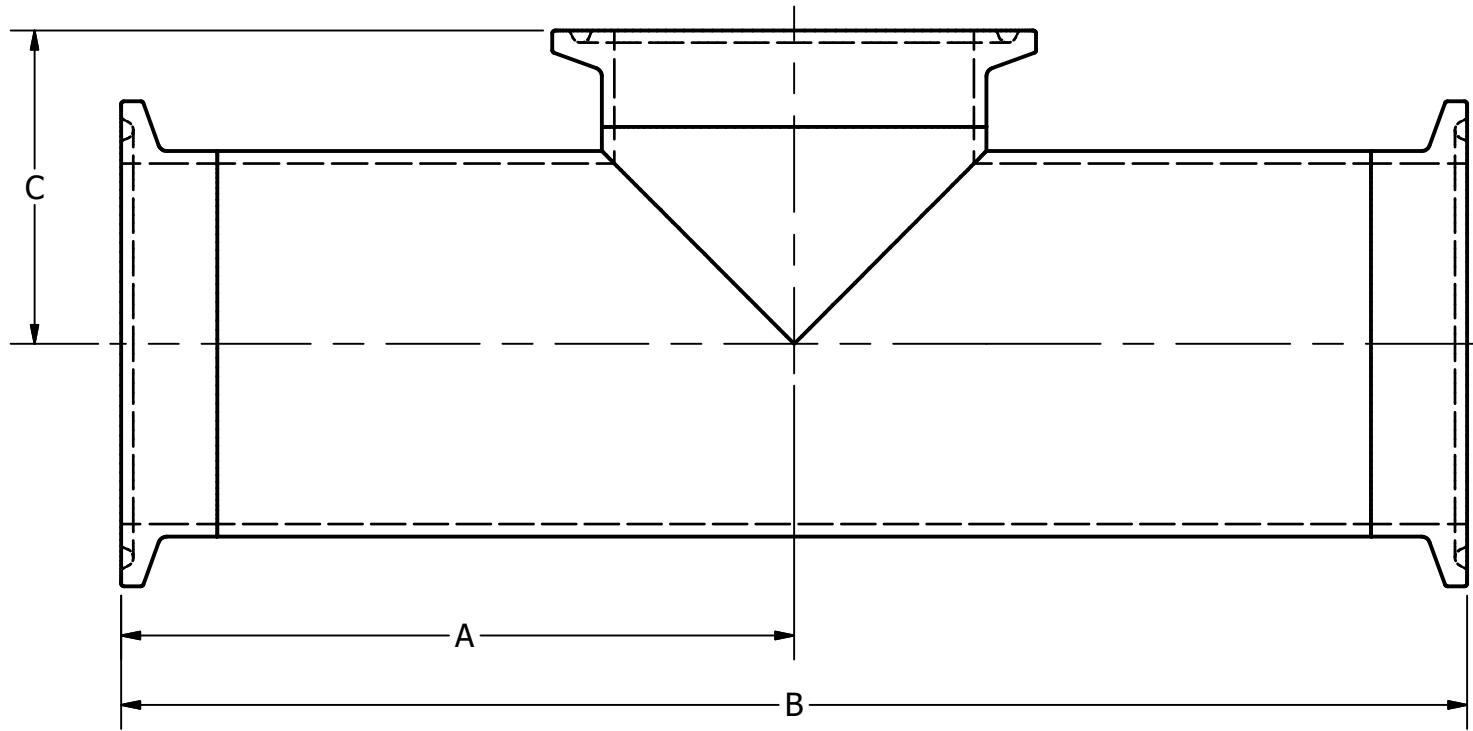


PART NO.	A	B	C
7MPS-.75	2.375	4.750	1.000
7MPS-1	2.375	4.750	1.125
7MPS-1.5	2.750	5.500	1.375
7MPS-2	3.500	7.000	1.625
7MPS-2.5	3.500	7.000	1.875
7MPS-3	3.750	7.500	2.125
7MPS-4	4.500	9.000	2.750
7MPS-6	6.375	12.750	3.875
7MPS-8	7.875	15.750	5.125



TOLERANCES

REFER TO
STEEL & O'BRIEN
DOCUMENT # QS121

Steel & O'Brien Mfg. Inc.	
TITLE TC SHORT OUTLET TEE	
DWG NO: 7MPS	REV
SCALE: N/A	SHEET 1 OF 1