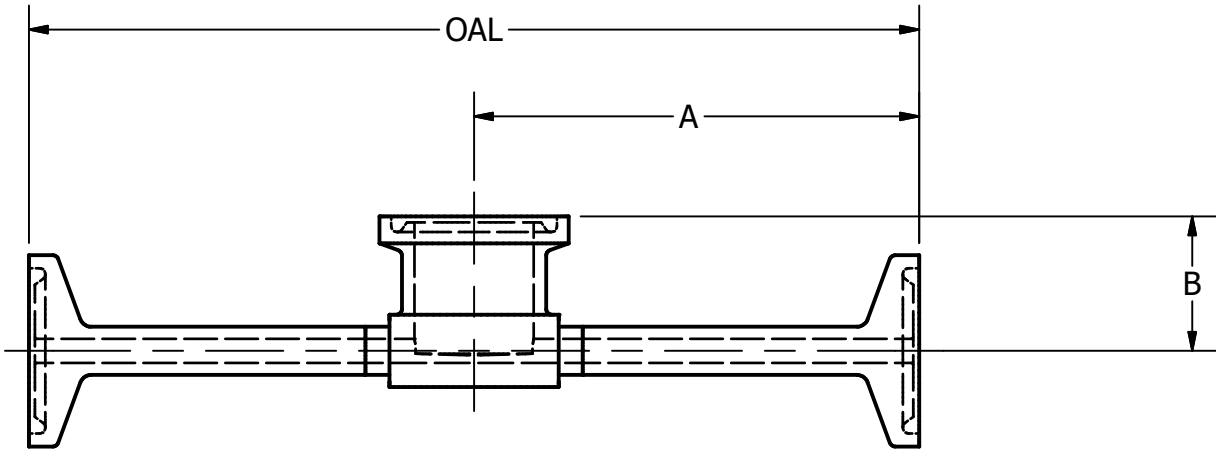


PART NO.	OAL	A	B
S7IMPS-.50X.75	6.000	3.000	.875
S7IMPS-.50X1.5	6.000	3.000	.875
S7IMPS-.50X2	6.500	3.250	1.000
S7IMPS-1X1.5	6.000	3.000	1.125
S7IMPS-1X2	6.500	3.250	1.250
S7IMPS-1.5X2	6.500	3.250	1.500
S7IMPS-2X3	7.500	3.750	1.750



TOLERANCES

REFER TO
STEEL & O'BRIEN
DOCUMENT # QS121

Steel & O'Brien Mfg. Inc.

TITLE
TC X TC X TC INSTRUMENT TEE

DWG NO: **S7IMPS**

SCALE: N/A

REV

SHEET 1 OF 1